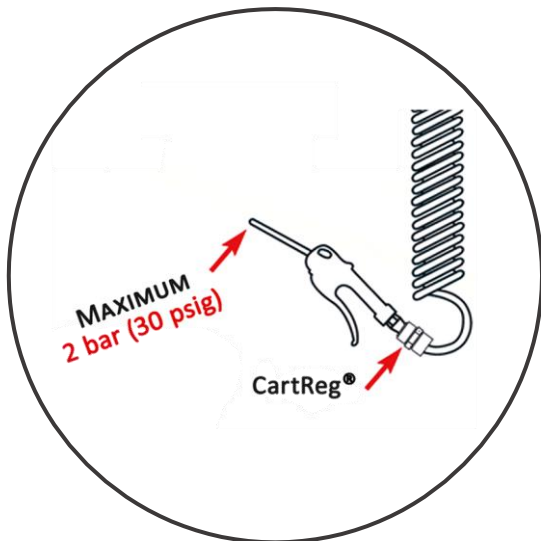


# CartReg®

## PRESET MINIATURE REGULATOR FOR AIR



### CartReg®

CartReg® - The economical and compact solution to various pneumatic applications. Engineered to comply with various international Health and Safety regulations on air blow guns, the preset CartReg® is the economical answer to keep in check the maximum pressure requirements. The preset miniature regulator is designed to meet OSHA (Occupational Safety & Health Administration, USA) and other safety agency requirements for 2 bar/30 psig maximum pressure for pneumatic air guns

The tamperproof the CartReg® can be easily mounted on any 1/4" air blow gun and pneumatic tool and is an economical means to maintain the ideal pressure.

### Your advantages

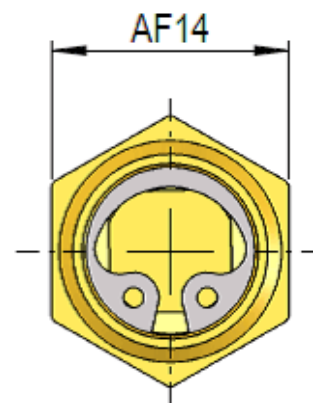
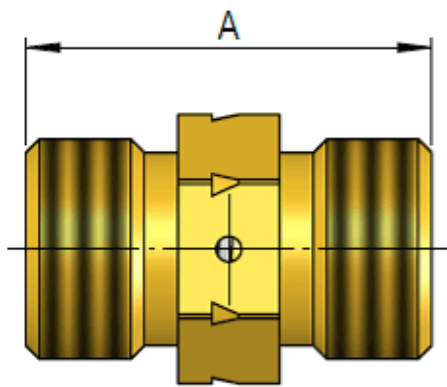
- ✓ Safety: protects personnel, machinery and plant by avoiding pressure surges
- ✓ Ensures optimal air tool efficiency by supplying a constant pre-set pressure
- ✓ Prevents compressed air waste – limits excessive compressed air consumption = reducing energy costs
- ✓ Easy assembly: can be integrated into any 1/4" pneumatic tool
- ✓ Lightweight (15g) and compact (Hexagon 14 mm, length 24 mm)
- ✓ Locked to prevent pressure change – tamper proof
- ✓ Competitively priced
- ✓ Increases tool service life

## Technical data

Max. inlet pressure:	12 bar
Outlet pressure (preset):	2... 8 bar
Flow:	350 NI/min
Connection:	1/4" BSP/NPT
Temperature range:	-20°C to 60°C
Weight:	15g

## Applications

Pneumatic air gun	Spray gun
Workshop air lines	Pneumatic tools
General pneumatic appl.	



\*Dimensions see datasheet on website – [protect-air.com](http://protect-air.com)



TRI-MATIC AG  
Bösch 82  
CH-6331 Hünenberg

Phone +41 (0)41 780 22 22  
Email: [info@tri-matic.ch](mailto:info@tri-matic.ch)

